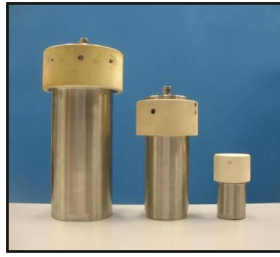


MINERALIZATION BOMBS



USES :

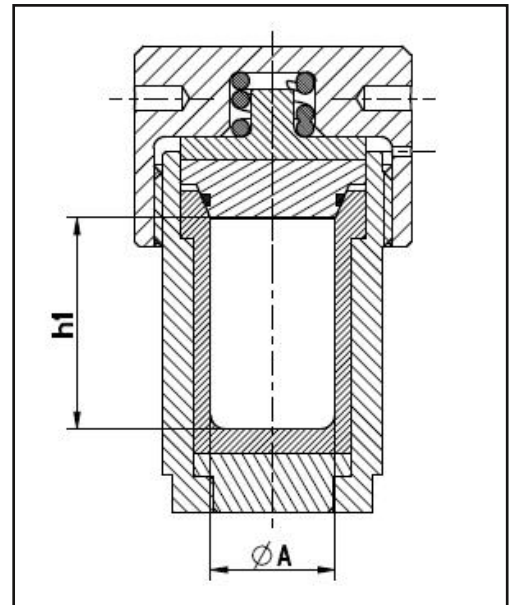
TOP INDUSTRIE sample preparation bombs are very easy to use. They are inexpensive and are basic laboratory equipment. They are also light and can be heated up to 220°C in a steam room or thermostatic bath. We have a wide range of volumes, going from 20ml to 1000ml.

The Teflon cladding helps protect the body from corrosion. It is easy to change, and therefore allows the sample preparation bomb to be used with a wide range of fluids.

Please note that a safety system is built in to the shutter, thus ensuring maximum safety of use.

FEATURES :

- Can be used at pressures between 20 and 200 bar (depending on fluid).
- Can be used at temperatures between 20 and 200°C.
- Manual opening/closing.
- Teflon sealing.
- Built-in security system.
- Body material: 1.4404 (316L)
Other possible materials : Hastelloy, Inconel, etc.
- Use with type 1 fluids.
- Stirring can be done using a magnetic stirrer.
- Cladding can easily be changed.
- PED 97/23/CE compliant.



REFERENCE	VOLUME (ml)	Ø A (mm)	h1 (mm)	Maximal Temperature	Maximal Pressure
2071 0000	23	26	47	220	200
2072 0000	48	35	53	220	120
2148 2000	100	40	80	200	120
2148 3000	250	50	140	200	100
2148 5000	500	70	130	200	100
2148 4000	1000	79	205	200	40

Please note: Contact us for pressures or volumes outside standard range.

In view of possible technological advances in our production methods, the products described in this manual are liable to be modified without prior notice.



TOP INDUSTRIE

High Pressure Engineering

80 rue Marinoni 77013 VAUX LE PENIL CEDEX FRANCE

T : +33 (0) 1 64 10 45 50 F : +33 (0) 1 64 37 62 08

info@top-industrie.fr

www.top-industrie.com

L8A

0612