

# AUTOCLAVE FOR HYDROTHERMAL SYNTHESIS



## USES :

These autoclaves are designed for use in hydrothermal synthesis at very high pressures and temperatures. They are particularly suited to very high pressures (up to 6000 bar). Thanks to their cone/cone sealing, they can safely withstand temperatures of up to 900°C.

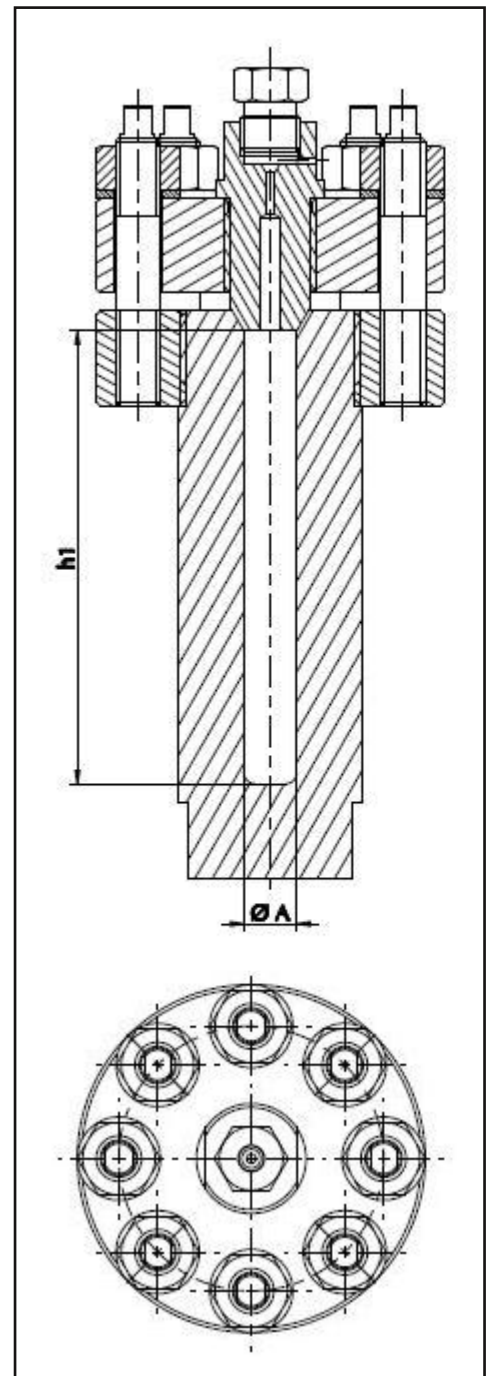
## FEATURES :

- Can be used at all pressures between 0 and 6000 bar.
- Can be used at temperatures up to 900°C.
- Opens/shuts with flanges and pins
- Cone/cone or metal/metal sealing.
- On upper flange: 1 1/4" HP fitting.
- Material: 1.4980 - PER 41- PER 7H depending on max. pressure and temperature.
- Creep curves are provided: with varying pressure and temperature
- Works with both liquids and gases.

## OTHER OPTIONS :

- Furnace heating
- Temperature regulator

REFERENCE	PRESSION (bar)	VOLUME (ml)	Ø A (ml)	h1 (mm)
696 20 00	7000	4,5	6	180
696 21 00	3500	22	12	200
696 22 00	2600	35	15	200
696 23 00	2000	49	25	100



**Please note:** Contact us for pressures or volumes outside standard range.

In view of possible technological advances in our production methods, the products described in this manual are liable to be modified without prior notice.



**TOP INDUSTRIE**

High Pressure Engineering

80 rue Marinoni 77013 VAUX LE PENIL CEDEX FRANCE

T : +33 (0) 1 64 10 45 50 F : +33 (0) 1 64 37 62 08

info@top-industrie.fr

www.top-industrie.com

L11A

0111