

# PRESSURE MULTIPLIER



## USES :

TOP INDUSTRIE pressure multipliers work for both gases and liquids and can attain pressures of up to 12 000 bar.  
We offer a wide range of types, but can also design and produce specific models corresponding to your needs in respect of pressure and/or volume requirements.

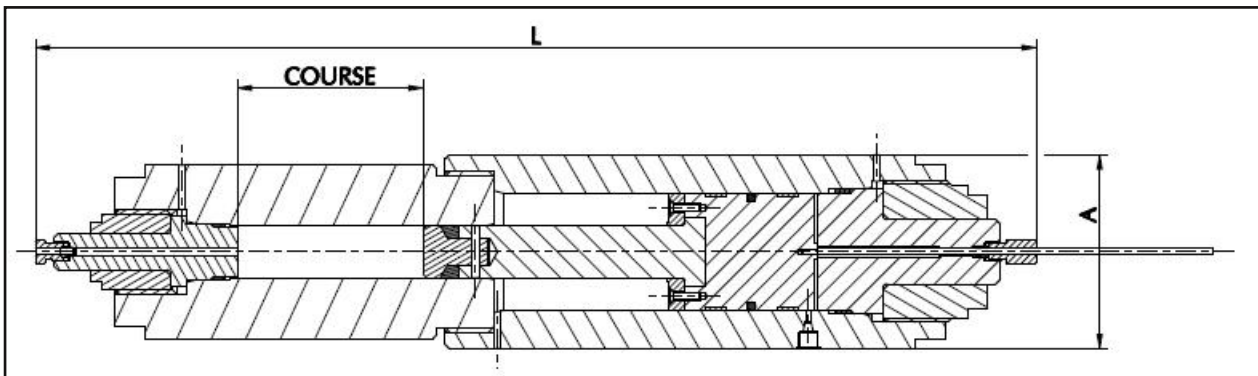
## FEATURES :

- HP fluid: liquid or gas.
  - Primary fluid: liquid or gas.
  - Bridgman Seal for high pressures.
  - Material: 35 NCD 16 or stainless steel.
- Other possible materials : Hastelloy, Inconel, etc.

- Single effect, minimal return pressure from 200 to 500 bar.
- Static or dynamic operating modes

## OPTIONS :

- Central rod in order to gauge the position of the piston
- Limit switches
- Double effect



HP PRESSURE	INPUT PRESSURE	HP VOLUME	RUN	L	A	HP JOINT	PRIMARY JOINT	REFERENCE
bar	bar	cm <sup>3</sup>	mm	mm	mm			
1 500	200	90	59	595	196	1 / 4"	3 / 4" gas	602 01 00
2 400	500	157	125	703	128	1 / 4"	1 / 4" HP	602 02 00
7 000	350	31	122	590	128	1 / 4"	1 / 4" HP	602 03 00
12 000	500	50	170	600	130	1 / 4"	1 / 4" HP	602 04 00

In view of possible technological advances in our production methods, the products described in this manual are liable to be modified without prior notice.

